

Product data sheet

Characteristics

8910DPA32V06

Contacteur, Definite Purpose, 30A, 2 pole, 5 HP at 230 VAC, 1 phase, 440/480 VAC 50/60 Hz coil, open



Product availability: Stock - Normally stocked in distribution facility

Price*: 91.38 USD



Commercial status

This Product is Obsolete : JAN 23, 2021

This Product is Obsolete

Main

Product or component type	Definite Purpose Contactor
Line Rated Current	30 A
Poles description	2P
Pole contact composition	2 NO
Range of product	DPA

Complementary

Maximum Horse Power Rating	2 Hp 115 V AC, 1 phase 5 Hp 230 V AC, 1 phase
Locked rotor rated current	150 A 460 V AC 120 A 575 V AC 180 A 277 V AC
[Ue] rated operational voltage	600 V AC
[Uc] control circuit voltage	440 V AC 50 Hz 480 V AC 60 Hz
Phase	1 phase
Electrical connection	Binder head Quick connect terminals

Environment

Product certifications	UL Recognized CSA
------------------------	----------------------

Ordering and shipping details

Category	21343 - 8910 DPA 3_(30 AMP)
Discount Schedule	CP1B
GTIN	00785901024415
Nbr. of units in pkg.	1
Package weight(Lbs)	16.00 Oz (453.592 g)
Returnability	Yes
Country of origin	CN

Packing Units

Unit Type of Package 1	PCE
Package 1 Height	3.20 In (8.128 cm)
Package 1 width	4.10 In (10.414 cm)
Package 1 Length	2.60 In (6.604 cm)

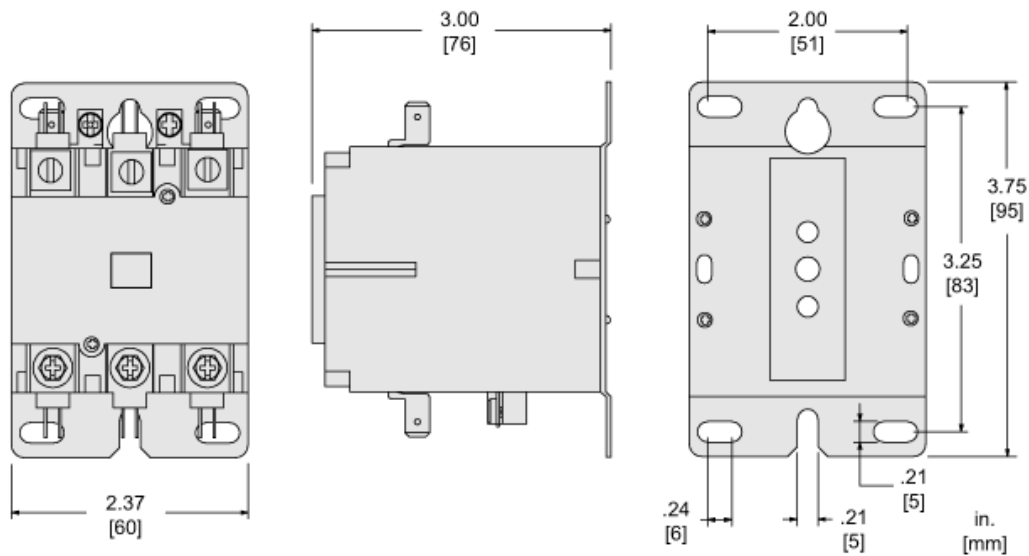
Offer Sustainability

REACH Regulation	REACH Declaration
EU RoHS Directive	Compliant EU RoHS Declaration
Mercury free	Yes
RoHS exemption information	Yes
China RoHS Regulation	China RoHS Declaration

Contractual warranty

Warranty	18 months
----------	-----------

Approximate Dimensions



Product Life Status : **End of commercialisation**